

ON-BOARD PROCESSING AND DIGITAL RF TRANSCEIVER DEVELOPMENT KITS

A Trident development platform with lab-standard interfaces utilizing flight-like hardware. Pre-loaded with Trident Firmware and Software for application development and testing. On-site and remote support available with each kit.

Customizable Development Kits

Trident VDRT Development Kits are lab-based development platforms, preloaded with Trident FW/SW (source files included), for application development, testing, and HWIL demonstrations on Trident Hardware. Compatible with Tridents 3U VPX modules, the kits provide operational and developmental interfaces to flight-like hardware with "lab-friendly" interfaces. These kits are a low-cost, rapidly available platform for new and existing customers. Customization available.

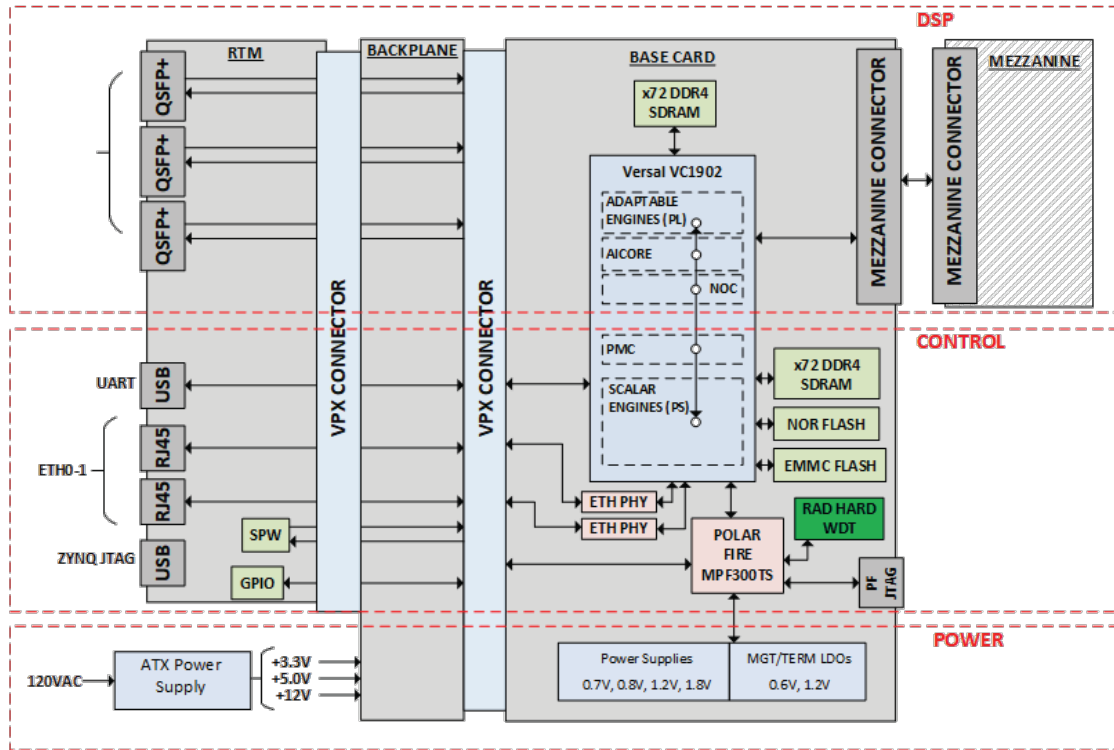
Rapid Response Methodology

Development Kits are an integral part of Trident's Rapid Response methodology which enable our customers success on fast-paced, cost constrained, modern space programs. Demonstrated on multiple flight programs, contact us to learn how we can apply this methodology to your programs.



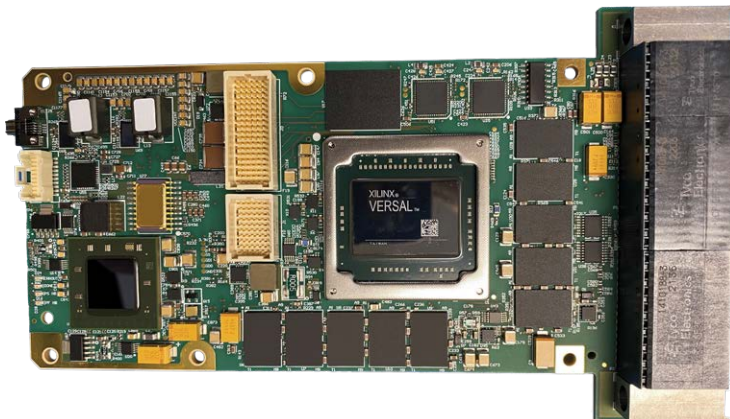
Lab Development on
Trident Flight-Like
Hardware

SPN-06335 VDRT DEV KIT SPECIFICATIONS



SPN-06355 VDRT DevKit Specifications

- Integrated VDRT EDU with XCVC 1902-1MSIVIVA1596 with flight and developmental interfaces
 - Two (independent) 8GB DDR4 Memory Banks w/ ECC
 - 32 GB (minimum) NAND Flash, 256MB Redundant NOR Flash
 - Two PS Ethernet (RJ45)
 - Three Versal GTY Quad (QSFP+)
 - Two (2) Versal UART connections (USB)
 - Versal JTAG (USB)
 - 1 Pulse Per Second (SMA)
 - Discrete boot and power control
 - 1 TB SSD on mezzanine site optional



Included Source Files and Docs

- Trident Yocto Layer BSP
- Example Vivado Project
 - NOC configuration (DRAM / Interconnect)
 - AICore Demo
 - Processor configuration
- Pin constraints for the entire chip (XDC)
- Engineering GUI and C2 GUI for Flight SW
- HW User Manual and Documentation

SWaP

- Benchtop or 19" rack-mountable (3U height)
- 120 VAC (Integrated Power Supply)
- ~8 kg, shipped in protective storage container

Rapid Availability

- From stock to 14-16 weeks
- On-site and remote support available
- Kit Customization is available for additional interfaces and other mezzanine cards

Contact Us: SES-BD@tridsys.com